

Health o meter[®]

P r o f e s s i o n a l

499KL

WAIST HIGH DIGITAL BEAM SCALE

BALANZA ELECTRONICA A LA ALTURA DE LA CINTURA

BALANCE ELECTRONIQUE À LA HAUTEUR DE LA CEINTURE

500 lb x 0.2 lb
220 kg x 0.1 kg



Rev. 20100414

USER INSTRUCTIONS • INSTRUCCIONES DE USO • MODE D'EMPLOI

Thank you for your purchase of this Health o meter[®] Professional scale.
Please read this manual carefully and keep it for easy reference or training.

Gracias por su compra de ésta balanza Health o meter[®] Profesional. Lea éstas instrucciones con cuidado, y mantenga el manual disponible para futuras consultas y también para su uso a la hora de orientar o formar al nuevo personal que la utilizará.

Merci d'avoir acheté cette balance Health o meter[®] Professionnelle. Veuillez lire attentivement ce manuel et le garder à portée de main pour pouvoir le consulter à tout moment.

TABLE OF CONTENTS

ENGLISH	2
ESPAÑOL	8
FRANÇAIS	14
CAUTION AND WARNING	3
SYMBOLS AND SPECIFICATIONS FOR THIS SCALE	3
CONNECTIVITY INFORMATION	3
SET UP / BATTERIES	4
QUICK START INSTRUCTIONS	5
OPERATION OF THIS SCALE	5
MAINTENANCE	6
TROUBLESHOOTING	6
CALIBRATION	6
WARRANTY	7

PLEASE REGISTER YOUR SCALE FOR WARRANTY COVERAGE AT:
<http://www.homscales.com/customers/registration.aspx>

POR FAVOR REGISTRE SU BÁLANZA PARA OBTENER COBERTURA DE LA GARANTÍA EN:
<http://www.homscales.com/customers/registration.aspx>

MERCI D'ENREGISTRER LA BALANCE AFIN DE LA GARANTIR SUR LE:
<http://www.homscales.com/customers/registration.aspx>

CAUTION AND WARNING

To prevent injury and damage to your scale, please follow these instructions very carefully:

- Do not transport the scale while platform is loaded.
- For accurate weighing the scale must be placed on a flat, stable surface.
- For accurate weighing, verify proper operation according to the procedure described in this manual before each use.
- Do not use in the presence of flammable materials.
- Operating at other voltages and frequencies than specified could damage the equipment.
- If the "LOW BAT" indicator activates, for accurate weighing replace the batteries or connect the scale to an AC power source as soon as possible.
- Only manufacturer's qualified personnel shall service the scale.

This equipment has been tested and found to comply with the EMC limits for the Medical Device Directive 93/42/EEC (EN 55011 Class A and EN 60601-1-2). These limits are designed to provide reasonable protection against harmful interference in a typical medical installation. The equipment generates, uses and may radiate radio frequency energy and, if not installed and used in accordance with these instructions, may cause harmful interference to other devices in the vicinity. However, there is no guarantee that interference will not occur in a particular installation. If this equipment does cause harmful interference with other devices, which can be determined by turning the equipment off and on, the user is encouraged to try to eliminate the interference by one or more of the following measures:

- Reorient or relocate the receiving device.
- Increase the separation between the equipment.
- Connect the equipment into an outlet on a circuit different from that to which the other device(s) is connected.
- Consult the manufacturer or field service technician for help.

DEFINITION OF SYMBOLS



Attention, Consult Accompanying Documents



Type BF Applied Parts



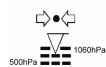
AC to DC power supply



Temperature range
(50 °F to 104 °F / 10 °C to 50 °C)



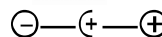
Humidity range
(10% - 95% RH)



Atmospheric pressure range
(500hPa - 1060hPa)



AC to DC power supply
(9V DC, 200mA)



DC Connector Polarity

499KL SCALE SPECIFICATIONS

Capacity and Resolution:	500 lb x 0.2 lb / 220 kg x 0.1 kg
Power Requirements:	6-AA cell 1.5V batteries (INCLUDED) or optional Adaptor Model RHD090020/ADPT31 (USA - CSA only) 120v AC - 9V DC 60 Hz or with Adaptor Model UE 15WCP-090050SPA/ADPT30 (IEC only) 120-240V AC - 9V DC 50-60Hz. OPTIONAL ADAPTERS NOT INCLUDED.
Environmental:	Operating Temperatures: 50 °F to 104 °F / 10 °C to 50 °C Atmospheric Pressure: 500hPa to 1060hPa Humidity: 10% to 95% RH
Platform Dimensions:	12 3/4" x 15-1/2" x 2 -1/4" (32.4 cm x 39.4 cm x 5.7 cm)

STORAGE SPECIFICATIONS

Storage Temperatures:	32 °F to 122 °F / 0 °C to 50 °C
Humidity:	10% - 95% RH
Atmospheric Pressure:	500hPa - 1060hPa

*WARNING:

For use with AC Adaptor Model RHD090020/ADPT31 (USA - CSA only) or with Adaptor Model UE 15WCP-090050SPA/ADPT30 (IEC only). Complies with C22.2 No. 601.1-M90 and UL Std No. 60601-1. Type BF applied parts. Internally powered. **Equipment is not suitable for use in the presence of flammable anesthetic mixture with air nor with oxygen or nitrous oxide.**



499KL SCALE CONNECTIVITY INFORMATION:

This scale is designed to connect to other devices via a USB port, to allow acquisition of weight, height and BMI from the scale, to help close a source of potential medical errors caused by incorrectly copying and then recording a weight taken. This scale is EMR-EHR compatible. For more information regarding how to connect this scale to your computer, a monitor, printer or other device please contact Health o meter® Professional Technical Support at 800-638-3722.

INSTALLING BATTERIES

1. Locate the battery compartment on the back of the display head.
2. With a Phillips screwdriver remove the screw from the battery compartment cover and remove cover.
3. Place 6 new AA alkaline batteries into the battery compartment. Make sure the '+' and '-' are positioned correctly, as shown on the bottom of the battery compartment. **Replace the batteries when the display reads 'LobAt'** (Use only 6 AA alkaline batteries).
4. Replace the battery compartment cover.

NOTE: Dispose used batteries in accordance to your country's national, state or local requirements.

OPERATION WITH ADAPTER POWER

Plug the optional adapter (NOT INCLUDED) into the base of the scale and then into the outlet for power. Please refer to page 3 for information regarding the adapters available for use with this scale. When an adapter is used, the battery icon will not be displayed. The location of the adapter power jack on the scale (C) is shown below in Figure 1.

ASSEMBLING AND PREPARING THE SCALE FOR USE

1. Locate cable inside the upper column (A) and then feed it through the lower column (B).
2. After the cable is fed through (B), then plug the cable into the scale base (C).
3. Connect columns (A) and (B), then secure to base (C), using the 4 screws provided (see Figure 1).
4. Turn the scale on by pressing the ON/OFF button. The display will show "Start" and then "0.0".

NOTE: If set up instructions failed, refer to the troubleshooting instructions. If troubleshooting does not resolve the problem, please contact Health o meter® Professional Technical Support at 1-800-638-3722.

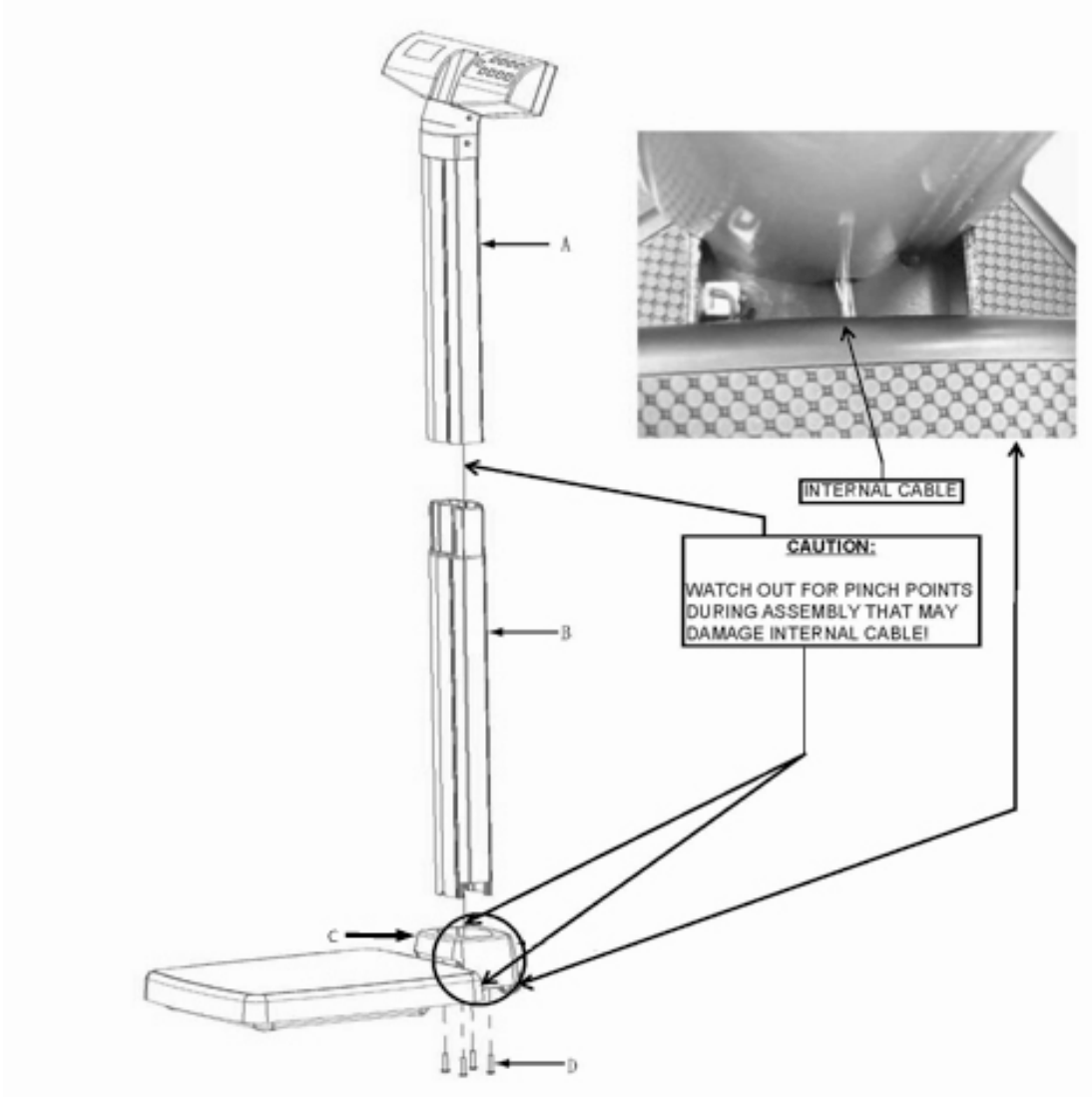


Figure 1

QUICK START INSTRUCTIONS

1. Press the ON/OFF button to turn the scale on. "START" will appear on the display for 4-5 seconds, then "0.0" will be displayed.
2. Have the patient step on the scale. After the weight has stabilized, "LOCK" and the patient's weight will be displayed.
3. The stable weight will continue to be displayed until the patient steps off the scale. The display will again show "0.0".

DESCRIPTION FUNCTION

ON/OFF	Turns the scale ON and OFF.
HOLD/RELEASE	Holds the value of the weighed object on the display until the button is pressed again.
ZERO	Zeros the display prior to weighing; enables the cancellation of weight if some object was placed on the scale. Can be used if you want to tare that object.
LB/KG	Toggles between pound or kilogram uses of the scale.
CLEAR	Clears the incorrect height input when in BMI mode.
BMI	Prompts entry of data to calculate the patients Body Mass Index (BMI)
ENTER	Used to accept height in BMI mode.
UP ▲	Increases height input (0.5 in / 0.5 cm increments)
DOWN ▼	Decreases height input (0.5 in/ 0.5cm increments)



OPERATING INSTRUCTIONS

AUTO OFF FUNCTION

As an energy saving feature, the scale will automatically turn off after 2 minutes of inactivity, if this function is enabled.

Activating auto-off

1. While the scale is turned off, press and hold the "HOLD/RELEASE" button.
2. While holding the "HOLD/RELEASE" button, press the "ON/OFF" button to turn the scale on.
3. "START" will briefly appear on the display followed by "AOF=1".
4. Auto off is now enabled.

De-activating auto-off

1. While the scale is turned off, press and hold the "HOLD/RELEASE" button.
2. While holding the "HOLD/RELEASE" button, press the "ON/OFF" button to turn the scale on.
3. "START" will briefly appear on the display followed by "AOF=0".
4. Auto off is now disabled and the scale will remain on until the scale is manually turned off.

KG & LB LOCK OUT

The default weighing mode for this scale can be changed from LB/KG to KG only or LB only.

To change weighing mode:

1. Press the ON/OFF button to turn the scale on.
2. Wait for "0.0" to appear on the display.
3. Press and hold the LB/KG button until the unit of measure begins to flash.
4. Release the LB/KG button and the scale will operate in the mode you selected.
5. Repeat steps 3-4 to change the weighing mode to a different unit of measure as the default for use.

BMI CALCULATION

1. Complete steps 1 and 2 of the Quick Start Operating Instructions, then do the following steps.
2. While the patient is standing on the scale, press the BMI button. A number representing a default height will appear on the display.
3. Select the correct or closest height measurement by pressing the UP or DOWN buttons.
4. Confirm the height input by pressing the ENTER button and the BMI will be displayed.
5. Press the CLEAR button to return to normal weighing operation. See key descriptions above for more information.

HOLD FUNCTION

1. Complete steps 1 and 2 of the Quick Start Operating Instructions, then do the following steps.
2. While the patient is standing on the scale, press the HOLD/RELEASE button to activate the hold function. The stable weight will remain on display for convenience until the hold function is cancelled.
3. To cancel hold function, press the HOLD/RELEASE button again. The scale will return to normal weighing operation.

Before first use and after periods of non-use, check the scale for proper operation.

Disconnect the scale from the power source, if plugged in.

1. This scale contains electronic parts. Use it carefully. Do not drop, kick or jump on it.
2. Do not store near chemicals, heaters or radiators.
3. Do not store scale on its side.
4. To clean the scale, wipe the outside of the scale with a soft cloth and mild detergent. Do not use abrasive cleaners. Do not use isopropyl alcohol, other solutions or sanitizing wipes to clean the display surface.
5. Never place the scale in the water. Do not spray it with liquid.

This scale is an extremely sensitive weighing device. Items such as clothing or towels placed or dropped on the scale may cause it to activate. In order to prevent run down of the battery, do not store or leave anything on the scale.

TROUBLESHOOTING

Refer to the following instructions to check and correct any failure before contacting service personnel.

SYMPTOM	POSSIBLE CAUSE	CORRECTIVE ACTION
Scale does not turn on	<ol style="list-style-type: none"> 1. Battery problem 2. Bad Power Supply or Not Plugged In 3. Electrical Outlet not functioning 	<ol style="list-style-type: none"> 1. Check / Replace the batteries 2. Check / Replace Power Supply Adapter 3. Use a different outlet
“LobAt” shows in display	The batteries are low	Replace batteries according to instructions
Questionable weight or the scale does not zero	<ol style="list-style-type: none"> 1. External object interfering with the scale 2. The display did not show “0.0” before weighing 3. Scale is not placed on a level surface 4. Scale is out of calibration 	<ol style="list-style-type: none"> 1. Remove interfering object from the scale 2. Ask the patient to step off the scale. Zero the scale and begin weighing process again. 3. Place scale on level surface 4. Check weight with know weight value
“OVER” shows in display	Overload. The load on the scale exceeds scale capacity (500 lbs / 220 kg)	Remove weight, turn scale off, turn scale on again and try again
“UNDER” shows in display	Negative weight, indicating a tare was present. Load on the scale is below initial zero point	Clear scale of any weight and re-zero scale by pressing ZERO button

CALIBRATION

This scale has been factory calibrated and does not require calibration prior to use.

The calibration procedure may be performed using a known weight in either pounds or kilograms. Simply set the scale for the desired unit of measure using the lb/kg key and start the calibration procedure. The calibration is performed using lb or kg, according to the unit of measure used upon entering into the calibration path, meaning the scale will default to either lb or kg, if that was the setting left on the scale for weighing.

Note: Calibration weight must be no less than 100 lb (40 kg) and no more than 500 lb (200 kg).

ACTION	DISPLAY SHOWS
Press and hold the LB/KG and ZERO buttons at the same time, then press the ON/OFF button to turn on the scale. “CAL” followed by a number indicates you can calibrate.	“CAL” then “XXXXX”
Press the ZERO button. “C-100” (for lb mode) or “C-40” (for kg mode) will flash on the display and then the display will return to “0”.	“C-100” or “C-40”
Place 100 lbs or 40 kg on the scale and when calibration number stabilizes, press the ZERO button. “C-200” (for lb mode) or “C-80” (for kg mode) will flash on the display and then the display will return to “0”.	“C-200” or “C-80”
Place 200 lbs or 80 kg on the scale and when calibration number stabilizes, press the ZERO button. “C-300” or “C-120” will appear on the display and then the display will return to “0”.	“C-300” or “C-120”
Place 300 lbs or 120 kg on the scale and when calibration number stabilizes, press the ZERO button. “C-500” or “C-200” will appear on the display and then the display will return to “0”.	“C-500” or “C-200”
Place 500 lbs or 200 kg on the scale and when calibration number stabilizes, press the ZERO button. “END” will appear on the display and then the scale will automatically turn off.	“END”

What does the Warranty Cover?

This Health o meter® Professional scale is warranted from date of purchase against defects of materials or in workmanship for a period of two (2) years. If product fails to function properly, return the product, freight prepaid and properly packed to Pelstar, LLC (see "To Get Warranty Service", below, for instructions). If the manufacturer determines that a defect of material or in workmanship exists, the customer's sole remedy will be repair or replacement of the scale at no charge. Replacement will be made with a new or remanufactured product or component. If the product is no longer available, replacement may be made with a similar product of equal or greater value. All parts including repaired and replaced parts are covered only for the original warranty period.

Who is Covered?

The original purchaser of the product must have proof of purchase to receive warranty service. Please save your invoice or receipt. Authorized dealers selling Pelstar products do not have the right to alter, or modify or any way change the terms and conditions of this warranty.

What is Excluded?

Your warranty does not cover normal wear of parts or damage resulting from any of the following: negligent use or misuse of the product, use on improper voltage or current, use contrary to the operating instructions, abuse including tampering, damage in transit, or unauthorized repair or alternations. Further, the warranty does not cover Acts of God, such as fire, flood, hurricanes and tornadoes. This warranty gives you specific legal rights, and you may also have other rights that vary from country to country, state to state, province to province or jurisdiction to jurisdiction.

To get Warranty Service make sure you keep your sales receipt or document showing proof of purchase. Call 800-638-3722 to receive a return authorization (RA) number, which must be included on the return label. Attach your proof of purchase to your defective product along with your name, address, daytime telephone number and description of the problem. Carefully package the product and send with shipping and insurance prepaid to:

Pelstar, LLC
Attention R/A# _____
Repair Department
11800 South Austin Avenue, Unit B
Alsip, IL 60803

If your scale is not covered by warranty, or has been damaged, an estimate of repair costs or replacement costs will be provided to you for approval, prior to servicing or replacing.

Pelstar, LLC
11800 South Austin Avenue - Unit B • Alsip, IL 60803 • USA
1-800-638-3722 or 1-708-377-0600

PLEASE REGISTER YOUR SCALE FOR WARRANTY COVERAGE AT:
<http://www.homscales.com/customers/registration.aspx>

Health o meter® Professional products are manufactured, designed and owned by Pelstar, LLC.
Health o meter® is a registered trademark of Sunbeam Products, Inc. used under license. We reserve the right to improve, enhance or modify Health o meter® Professional product features or specifications without notice.
© Pelstar, LLC 2009



Gracias por su compra de éste producto Health o meter® Profesional. Lea éstas instrucciones con cuidado, y mantenga el manual disponible para futuras consultas y también para su uso a la hora de orientar o formar al nuevo personal que la utilizará.

ÍNDICE DE MATERIAS

ENGLISH	2
ESPAÑOL	8
FRANÇAIS	14
ADVERTENCIAS Y PRECAUCIONES	9
SÍMBOLOS Y ESPECIFICACIONES	9
INFORMACIÓN DE LA CONECTIVIDAD	9
INSTRUCCIONES DE MONTAJE / PILAS	10
INSTRUCCIONES BÁSICAS	10
INSTRUCCIONES DE FUNCIONAMIENTO	11
MANTENIMIENTO	11
RESOLUCIÓN DE PROBLEMAS	12
CALIBRACIÓN	12
GARANTÍA	13

POR FAVOR REGISTRE SU BÁLANZA PARA OBTENER COBERTURA DE LA GARANTÍA EN:

<http://www.homscales.com/customers/registration.aspx>

ADVERTENCIAS Y PRECAUCIONES

Para evitar lesiones y proteger su balanza de posibles averías, siga atentamente las siguientes instrucciones:

- No transporte la balanza cuando la plataforma esté cargada.
- Para un pesaje exacto, la balanza se debe colocar en una superficie plana y estable.
- Para un pesaje exacto, antes de cada uso verifique que la balanza funcione correctamente según el procedimiento que se describe en este manual.
- No use la balanza en presencia de sustancias inflamables.
- El funcionamiento a voltajes y frecuencias diferentes a las especificadas podría dañar el equipo.
- Si se activa el indicador "LOW BAT", para un pesaje exacto reemplace las pilas o conecte la balanza a una fuente de alimentación de CA lo antes posible.
- Únicamente el personal capacitado del fabricante puede realizar las reparaciones de la balanza.

Este equipaje ha probado y se ha encontrado a conformarse con los límites del EMC para el Directivo Aparato Médico 93/42/EEC (EN 55011 Clase A y EN 60601-1-2). Estos límites se diseñan para proporcionar a la protección razonable contra interferencia dañosa en una instalación médica típica. El equipo genera, emplea y puede irradiar energía de radiofrecuencia y, si no se instala y emplea según estas instrucciones, puede causar interferencia perjudicial en otros dispositivos cercanos. No obstante, no existe garantía alguna de que no habrá interferencias en una instalación en particular. Si el equipo genera interferencia en otros aparatos, lo cual se puede determinar al apagarlo y encenderlo, se sugiere intentar eliminar dicha interferencia a través una o más de las siguientes medidas:

- Reorientar o reubicar el aparato receptor.
- Aumentar la separación entre los equipos.
- Conectar el equipo a una toma de corriente de un circuito distinto al que está conectado el/los otro/s aparato/s.
- Comunicarse con el fabricante o técnico de servicio de campo para obtener ayuda.

DEFINICIÓN DE LOS SÍMBOLOS



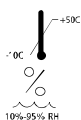
Atención: consulte los documentos adjuntos



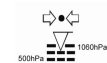
Piezas aplicadas tipo BF



Suministro de alimentación CA a CC



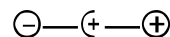
Rango de temperatura
(10 °C a 50 °C / 50 °F a 104 °F)



Rango de humedad
(10% a 95% humedad relativa)



Suministro de alimentación CA a CC



Polaridad del conector de CC

ESPECIFICACIONES DE LA BALANZA 499KL

Capacidad y resolución:	220 kg x 0,1 kg / 500 lb x 0,2 lb
Requisitos de alimentación:	6 pilas AA de 1,5V (INCLUIDAS) o adaptador opcional CA modelo RHD090020 / ADPT31 (solamente USA - CSA) 120V CA - 9V C.C. 60Hz o con el adaptador modelo UE 15WCP-090050SPA / ADPT30 (solamente IEC) 120-240V CA - 9V C.C. 50-60Hz. ADAPTADORES OPCIONALES NO INCLUIDOS.
Ambiental:	Temperaturas de funcionamiento: 10 °C a 50 °C / 50 °F a 104 °F Presión atmosférica: 500hPa a 1060hPa Humedad: 10% a 95% HR (humedad relativa)
Dimensiones de la plataforma:	32,4 cm x 39,4 cm x 5,7 cm (12 3/4 pu x 15-1/2 pu x 2 -1/4 pu)

ESPECIFICACIONES DE ALMACENAMIENTO

Temperaturas de almacenamiento:	0 °C a 50 °C / 32 °F a 122 °F
Humedad:	10% a 95% humedad relativa
Presión atmosférica:	500 hPa - 1060 hPa

***ADVERTENCIA:** Úsela junto con el adaptador de CA modelo RHD090020/ADPT31 (solamente USA - CSA) o con el adaptador modelo UE 15WCP-090050SPA/ADPT30 (solamente IEC). Cumple con las normas C22.2

N.º 601.1-M90 y UL N.º 60601-1. Piezas aplicadas tipo BF. Alimentación interna.

El equipaje no es apto para usarse en presencia de sustancias anestésicas inflamables mezcladas con aire, oxígeno u óxido nítrico.



INFORMACIÓN DE LA CONECTIVIDAD PARA LA BALANZA 499KL:

Esta balanza se puede conectar con otros dispositivos a través de un acceso del USB, a permitir que el peso, la altura y el IMC (BMI) se transmiten directamente de la balanza, a ayudar en cerrar una fuente de errores médicos potenciales causados por leer o ver incorrectamente y después registrando un peso tomado. Esta balanza es EMR-EHR compatible. Para más información en cuanto al conectar esta balanza con su ordenador, el monitor, la impresora o el otro dispositivo comuníquese con la Asistencia Técnica de Health o meter® Profesional al 1-800-638-3722.

INSTALACIÓN DE LAS PILAS

1. Busque el compartimiento para pilas en la parte inferior del cabezal.
2. Con un destornillador Phillips, quite el tornillo de la tapa del compartimiento para pilas y retírela.
3. Coloque 6 pilas alcalinas AA nuevas en el compartimiento para pilas. Asegúrese de respetar la polaridad '+' y '-', según se muestra en la parte inferior del compartimiento para pilas. **Reemplace las pilas cuando la pantalla muestre la leyenda 'LobAt'** (Úse únicamente las pilas alcalinas AA).
4. Vuelva a colocar la tapa del compartimiento para pilas.
FIJE: deseche las pilas usadas de acuerdo con requisitos locales del país, estado o comunicad donde usted vive.

FUNCIONAMIENTO CON UN ADAPTADOR

Conecte el adaptador (NO INCLUIDO) en la base de la balanza y a la fuente de alimentación. Refiera por favor a la página 9 para la información con respecto a los adaptadores disponibles para el uso con esta balanza. Cuando se utiliza un adaptador, el icono de la pila no se mostrará en la pantalla. La localización del gato de la potencia del adaptador (C) se indica abajo en la Figura 1.

MONTAJE Y PREPARACIÓN DE LA BALANZA PARA SU USO

1. Encuentre el cable dentro de la columna superior (A) y diríjalo a través de la columna más baja (B).
2. Después de que el cable se dirija a través de (B), enchúfe el cable en la base (C).
3. Conecte las columnas (A) y (B), después asegúrela a la base (C) usando los 4 tornillos proporcionados (véa la Figura 1).
4. Encienda la balanza al presionar el botón ON/OFF. La pantalla mostrará la leyenda "Start" y luego "0.0".

FIJE: Si las instrucciones de instalación fallan, consulte la sección de resolución de problemas. Si el problema no se soluciona, comuníquese con la Asistencia Técnica de Health o meter@ Profesional al 1-800-638-3722.

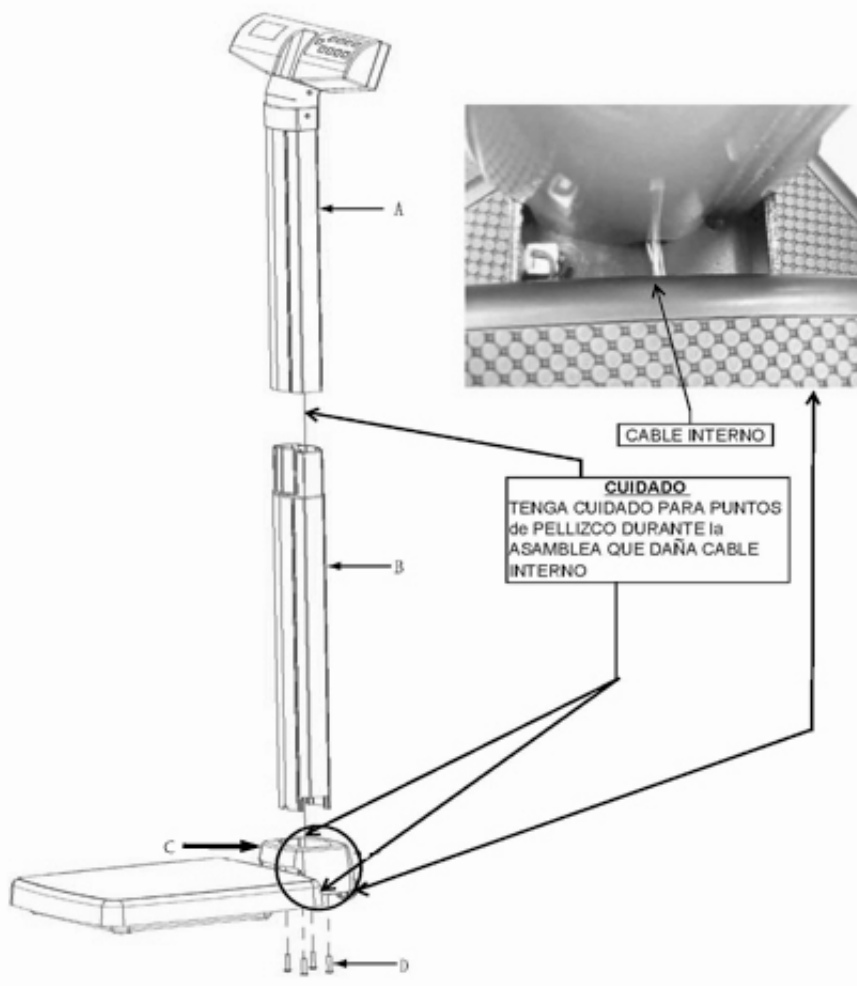


Figura 1

INSTRUCCIONES BÁSICAS

1. Encienda la balanza al presionar el botón ON/OFF. La pantalla mostrará la leyenda "START" durante 4-5 segundos y luego la leyenda "0.0".
2. Haga que el paciente suba a la balanza. Después de que el peso se haya estabilizado, se mostrarán "LOCK" y el peso del paciente.
3. El peso estable seguirá visualizándose hasta que el paciente baje de la balanza. La pantalla mostrará nuevamente la leyenda "0.0".

BOTÓN FUNCIÓN

BOTÓN	FUNCIÓN
ON/OFF	Enciende y apaga la balanza.
HOLD/RELEASE	Mantiene en pantalla el valor del objeto pesado hasta que se presiona nuevamente el botón.
ZERO	Fija en cero la pantalla antes del pesaje, permite cancelar el peso si se colocó algún objeto en la balanza.
LB/KG	Alterna entre libras y kilogramos.
CLEAR	Borra la entrada incorrecta del valor altura durante el modo BMI.
BMI	Solicita la entrada de datos para calcular el índice de masa corporal (IMC, o BMI, en inglés) del paciente.
ENTER	Se emplea para aceptar el valor de altura en el modo IMC (BMI).
UP ▲	Aumenta el valor de altura (incrementos de 0,5 cm / 0,5 pu).
DOWN ▼	Disminuye el valor de altura (incrementos de 0,5 cm / 0,5 pu).



INSTRUCCIONES DE FUNCIONAMIENTO

LA FUNCIÓN AUTO-APAGADO

Como característica de ahorro de energía, la balanza se apagará automáticamente después de 2 minutos de inactividad, con esta función activada.

El activar la auto-apagado

1. Con la balanza apagada, apréte y sostenga el botón de "HOLD/RELEASE".
2. Mientras que sostiene el botón de "HOLD/RELEASE", apréte el botón "ON/OFF" a encender la balanza.
3. "START" aparecerá abreviadamente en la pantalla seguida por "AOF=1".
4. Ya la función auto-apagado se permite y la balanza se apagará automáticamente después de 2 minutos de inactividad.

Desactivación la auto-apagado

1. Con la balanza apagada, apréte y sostenga el botón de "HOLD/RELEASE".
2. Mientras que sostiene el botón de "HOLD/RELEASE", apréte el botón "ON/OFF" a encender la balanza.
3. "START" aparecerá abreviadamente en la pantalla seguida por "AOF=0".
4. La función auto-apagado ahora está invalidada y la balanza se quedará encendida hasta que se la apague se manualmente.

KG y LB

Se puede modificar el modo de peso determinado de LB / KG a sólo kilogramos o a sólo libras.

Para modificar el modo de pesaje:

1. Encienda la balanza al presionar el botón ON/OFF.
2. Espere a que aparezca la leyenda "0.0" en la pantalla.
3. Presione y mantenga presionado el botón LB/KG hasta que la unidad de medida comience a parpadear.
4. Suelte el botón LB/KG. La balanza funcionará en el modo elegido.
5. Repita los pasos 3-4 para modificar el modo de pesaje a una unidad de medida diferente.

CÁLCULO DEL IMC (BMI)

1. Siga los pasos 1 y 2 de las Instrucciones básicas, en la página 10.
2. Mientras el paciente esté de pie sobre la balanza, presione el botón "BMI". La pantalla mostrará un número que representa una altura predeterminada.
3. Elija la medida de altura correcta o más aproximada para su paciente al presionar los botones "UP" y "DOWN".
4. Confirme la entrada del valor de altura al presionar el botón "ENTER". Se mostrará el IMC (BMI).
5. Presione el botón "CLEAR" para que la pantalla vuelva a su función normal de pesaje.

FUNCIÓN HOLD (MANTENER VISTA DEL PESO OBTENIDO)

1. Siga los pasos 1 y 2 de las instrucciones básicas, en la página 10.
2. Cuando el paciente esté de pie sobre la balanza, presione el botón HOLD/RELEASE para activar la función mantener. El peso estable seguirá mostrándose hasta que la función mantener se cancele.
3. Para cancelar la función mantener, presione el botón HOLD/RELEASE de nuevo. La balanza volverá a su función normal de pesaje.

Antes del primer uso y luego de períodos de inactividad compruebe que funcione correctamente.

Desconecte la balanza de la fuente de alimentación de CA.

1. Esta balanza contiene piezas electrónicas. Úsela con cuidado. No la deje caer, no la patee ni salte sobre ella.
2. No la almacene cerca de sustancias químicas, calefactores ni radiadores.
3. No almacene la balanza de costado.
4. Para limpiar la balanza, pase un paño suave embebido en detergente ligero por la parte exterior. No use limpiadores abrasivos. No utilice alcohol isopropilo, otras soluciones ni toallitas desinfectantes para limpiar la pantalla de lectura.
5. Nunca coloque la balanza en agua ni la rocíe con líquido.

Esta balanza es un dispositivo de pesaje extremadamente sensible. El colocar o dejar caer ropa o toallas encima de la balanza puede hacer que se active. Para evitar que las pilas se agoten, no coloque ningún objeto en la balanza.

RESOLUCIÓN DE PROBLEMAS

Consulte las siguientes instrucciones para verificar y solucionar cualquier falla antes de ponerse en contacto con el personal de mantenimiento.

SÍNTOMA	CAUSA POSIBLE	MEDIDA CORRECTIVA
La balanza no enciende	<ol style="list-style-type: none"> 1. Pilas 2. Suministro de alimentación deficiente 3. Falla en la toma de corriente eléctrica 	<ol style="list-style-type: none"> 1. Reemplace las pilas 2. Reemplace el suministro de alimentación 3. Use otra toma de corriente
La pantalla muestra la leyenda "LobAt"	Las pilas no poseen suficiente carga	Reemplace las pilas según las instrucciones
Peso cuestionable o la balanza no queda en cero	<ol style="list-style-type: none"> 1. Un objeto externo interfiere con la balanza 2. La pantalla no mostró "0.0" antes de pesar 3. La balanza no está colocada en una superficie nivelada 4. La balanza está descalibrada 	<ol style="list-style-type: none"> 1. Quite de la balanza el objeto que genera la interferencia 2. Haga que el paciente baje de la balanza. Deje que la balanza vuelva a cero y comience de nuevo la operación de pesaje. 3. Coloque la balanza en una superficie nivelada 4. Compare el peso obtenido con el valor de peso conocido
La pantalla muestra "OVER"	El peso en la balanza excede la capacidad (500 lbs o 227 kg)	Quite el peso, apague la balanza, encienda la balanza de nuevo e inténtelo de nuevo
La pantalla muestra la leyenda "UNDER"	El peso en la balanza es inferior a cero	Quite todo el peso de la balanza y vuelva la balanza a cero por presionar el botón "ZERO"

CALIBRACIÓN

Esta balanza ha sido calibrada en la fábrica y no requiere la calibración antes de su uso.

El procedimiento de calibración puede realizarse con un peso conocido en kilogramos o libras, según la unidad de medida usada al ingresar el procedimiento de calibración, que significa que la balanza se queda en la unidad usada inmediatamente antes a tomar el peso del paciente a hacer la calibración.

Fije: El peso de calibración no debe ser inferior a 40 kg (100 lb) ni mayor de 200 kg (500 lb).

ACCIÓN	PANTALLA
Aprete y mantenga apretados los botones LB/KG y ZERO al mismo tiempo, luego aprete el botón ON/OFF para encender la balanza. "CAL" en la leyenda, seguida por un número, significa que la balanza está lista para el procedimiento de calibración.	"CAL" y entonces "XXXXX"
Aprete el botón ZERO. La leyenda "C-100" (para el modo libras) o "C-40" (para kilogramos) aparecerá en la pantalla y luego volverá a "0".	"C-100" o "C-40"
Colóque 100 lbs o 40 kg en la balanza y cuando el número de calibración se estabilice, apréte el botón ZERO. La leyenda "C-200" (para el modo libras) o "C-80" (para kilogramos) parpadeará en la pantalla y luego ésta volverá a "0".	"C-200" o "C-80"
Colóque 200 lbs o 80 kg en la balanza y cuando el número de calibración se estabilice, apréte el botón ZERO. La leyenda "C-300" (para el modo libras) o "C-120" (para kilogramos) parpadeará en la pantalla y luego volverá a "0".	"C-300" o "C-120"
Colóque 300 lbs o 120 kg en la balanza y cuando el número de calibración se estabilice, apréte el botón ZERO. La leyenda "C-500" (para el modo libras) o "C-200" (para kilogramos) parpadeará en la pantalla y luego volverá a "0".	"C-500" o "C-200"
Colóque 500 lbs o 200 kg en la balanza y cuando el número de calibración se estabilice, apréte el botón ZERO. "END" aparecerá en la pantalla y la balanza se apagará automáticamente.	"END"

¿Qué cubre la garantía?

Esta balanza Health o meter® Professional está garantizada a partir de la fecha de compra por defectos de fabricación y mano de obra por un período de 2 (dos) años. Si el producto no funciona de forma adecuada, devuélvalo a Pelstar, LLC en un embalaje apropiado y con el flete prepago (vea "Para obtener el servicio de la garantía", a continuación, para obtener instrucciones). Si el fabricante determina que la balanza tiene un defecto de fabricación o mano de obra, el cliente tendrá derecho como única compensación a la reparación o sustitución de la balanza sin cargo alguno. La sustitución se hará con un equipo o un componente nuevo o refabricado. Si el producto ha dejado de producirse, la sustitución se hará con un producto semejante cuyo valor sea equivalente o superior. Todas las piezas, incluso las piezas reparadas o sustituidas, están cubiertas únicamente durante el período de la garantía original.

¿A quién cubre la garantía?

Para poder recibir el servicio de la garantía, el comprador original del producto debe presentar una prueba de compra. Los distribuidores autorizados que venden los productos Pelstar no tienen el derecho a alterar, modificar ni cambiar de ninguna forma los términos y las condiciones de la presente garantía.

¿Qué excluye la garantía?

La garantía no cubre el desgaste normal de las piezas ni los daños que se produzcan como resultado de: uso negligente o incorrecto del equipo, uso de voltaje o corriente inadecuados, uso contrario al indicado en las instrucciones de uso, maltratos, inclusive alteraciones al equipo, daños sufridos durante el transporte y reparaciones o modificaciones no autorizadas. Además, esta garantía tampoco cubre los daños causados por desastres naturales, tales como incendios, inundaciones, huracanes o tornados. La presente garantía le otorga derechos legales específicos y es posible que usted tenga también otros derechos que sean diferentes según el país, estado, provincia o la jurisdicción.

Para obtener los servicios de garantía, asegúrese de conservar su factura de compra o el comprobante de adquisición del producto. Llame al 800-638-3722 para obtener un número de autorización de devolución (RA) que deberá incluir en la etiqueta de devolución. Envíe el comprobante de compra atado al producto defectuoso, junto con su nombre, dirección, número de teléfono para llamadas diurnas y una descripción del problema. Empaque el producto con cuidado y envíelo con los gastos de flete y seguro prepagos a la siguiente dirección:

Pelstar, LLC
Atención R/A# _____
Repair Department
11800 South Austin Ave. Unit B
Alsip, IL 60803 EEUU

Si su balanza no está cubierta por la garantía o ha sido dañada, usted recibirá para su aprobación un presupuesto con los costos de la reparación y los repuestos antes de que procedamos a efectuar el servicio o la reparación.

Pelstar, LLC
11800 South Austin Avenue - Unit B • Alsip, IL 60803 • EEUU
1-800-638-3722 ó 1-708-377-0600.

POR FAVOR REGISTRE SU BALANZA PARA OBTENER COBERTURA DE GARANTÍA EN:
<http://www.homescales.com/customers/registration.aspx>

Los productos Health o meter® Professional son fabricados y diseñados por, y propiedad de Pelstar LLC.
Health o meter® es una marca registrada de Sunbeam Products Inc. usada bajo licencia.
©Pelstar, LLC 2009

**ISO13485:2003
CERTIFIED**

Merci d'avoir acheté cette balance Health o meter[®] Professionnelle. Veuillez lire attentivement ce manuel et le garder à portée de main pour pouvoir le consulter à tout moment.

TABLE DES MATIÈRES

ENGLISH	3
ESPAÑOL	8
FRANÇAIS	14
MISE EN GARDE ET AVERTISSEMENT	15
SYMBOLES ET SPÉCIFICATIONS D' CETTE BALANCE.....	15
L'INFORMATION DE CONNECTIVITÉ.....	15
CONSIGNES D'INSTALLATION / PILES.....	16
INSTRUCTIONS DE DÉMARRAGE RAPIDE.....	16
MODE D'EMPLOI.....	17
ENTRETIEN ET NETTOYAGE.....	17
DÉPANNAGE.....	18
CALIBRAGE.....	18
GARANTIE.....	19

MERCI D'ENREGISTRER LA BALANCE AFIN DE LA GARANTIR SUR LE:
<http://www.homscales.com/customers/registration.aspx>

MISE EN GARDE ET AVERTISSEMENT


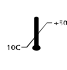
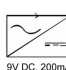

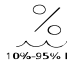
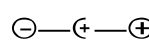

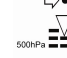
Veillez respecter attentivement les instructions afin d'éviter tout préjudice et dommage à votre balance

- Ne pas transporter la balance lorsque la plate-forme est chargée.
- Afin d'obtenir un pesage précis, la balance doit être installée sur une surface plate et stable.
- Afin d'obtenir un pesage précis, veuillez vous assurer que la balance fonctionne correctement conformément aux procédures décrites dans le présent manuel avant chaque utilisation.
- Ne pas utiliser à proximité de produits inflammables.
- L'utilisation de tensions électriques ou de fréquences qui sont différentes de celles indiquées dans ce manuel peut endommager l'équipement.
- Si l'indicateur « LOW BAT » (pile faible) est activé, remplacer les piles ou brancher la balance à une source de courant alternatif dès que possible afin d'obtenir un pesage précis.
- Seul le personnel formé par le fabricant peut manipuler la balance.

Cet équipement a été prouvé et il a été trouvé se conformer les limites de l'EMC pour le Directeur Appareil Médical 93/42/EEC (EN 55011 Classe A et EN 60601-1-2. Ces limites sont conçues pour fournir à la protection raisonnable contre interférence nuisible dans une installation médicale typique. L'équipement produit, utilise et émet des radiofréquences et, si ces instructions ne sont pas respectées lors de son installation et de son utilisation, cela peut causer des interférences nocives aux autres appareils à proximité. Toutefois, il n'y a aucune garantie que les interférences ne se produiront pas en suivant une procédure d'installation particulière. Si cet équipement provoque des interférences nocives avec d'autres appareils, qui peuvent être déterminées en mettant l'équipement hors tension et sous tension, il est recommandé que l'utilisateur essaye d'éliminer les interférences en prenant l'une des mesures suivantes:

- Réorienter ou replacer le dispositif de réception.
- Augmenter la distance entre les équipements.
- Brancher l'équipement à une prise d'un circuit électrique qui est différent de celui auquel les autres appareils sont connectés.
- Consulter le fabricant ou le technicien d'entretien pour obtenir de l'aide.

DEFINITION DES SYMBOLES

	Attention, consulter les documents joints		Zone de température		Alimentation électrique CA/CC
	Pièces appliquées de type BF		Plage d'humidité		Polarité du connecteur CC
	Alimentation électrique CA/CC		Domaine de pression atmosphérique		

CARACTERISTIQUES TECHNIQUES DE LA BALANCE 499KL

Capacité et résolution:	220 kg x 0,1 kg / 500 lb x 0,2 lb
Puissance requise:	6 piles AA de 1,5V (Y COMPRIS) ou adaptateur facultatif modèle RHD090020 / ADPT31 (seulement les USA - CSA) 120V CA - 9V C.C. 60Hz ou avec l'adaptateur modèle UE 15WCP-090050SPA / ADPT30 (seulement IEC) 120-240V CA - 9V C.C. 50-60Hz. ADAPTATEURS FACULTATIFS NON INCLUS.
Environnement:	Températures d'exploitation: 10°C à 50°C / 50°F à 104°F Pression atmosphérique: 500hPa à 1060hPa Humidité: 10 % à 95 % HR
Dimensions de la plate-forme:	32,4 cm x 39,4 cm x 5,7 cm (12-3/4 pouces x 15-1/2 pouces x 2-1/4 pouces)

CONDITIONS DE STOCKAGE

Températures de stockage:	0°C à 50°C / 32°F à 122°F
Humidité:	10 % - 95 % HR
Pression atmosphérique:	500hPa – 1060hPa

*AVERTISSEMENT :

A utiliser avec l'adaptateur CA modèle RHD090020/ADPT31 (uniquement USA - CSA) ou avec l'adaptateur modèle UE 15WCP 090050SPA/ADPT30 (uniquement IEC). Conforme à la norme C22.2 n° 601.1-M90 et à la norme UL n° 60601-1. Pièces appliquées de type BF. Opération autonome. L'équipement ne doit pas être utilisé en présence d'un mélange anesthésique inflammable avec de l'air ou avec de l'oxygène ou du protoxyde d'azote.



L'INFORMATION DE CONNECTIVITÉ DE LA BALANCE 499KL:

Cette balance peut être reliée avec d'autres dispositifs à travers un accès de l'USB, à permettre que le poids, la hauteur et l'IMC (BMI) sont directement transmis de la balance, pour aider à fermer une source d'erreurs médicales potentielles causées incorrectement en copiant et ensuite en enregistrant un poids pris. Cette balance est EMR-EHR compatible. Pour davantage d'information quant à relier à cette balance avec son ordinateur, le moniteur, l'imprimante ou l'autre dispositif contacter le Support Technique Health o meter® Professionnel au 800-638-3722 s'il vous plaît.

INSTALLATION DES PILES

1. Repérer le compartiment des piles qui se trouve sur la partie arrière du panneau.
2. Retirer la vis du couvercle du compartiment des piles en utilisant un tournevis et ensuite retirer le couvercle.
3. Positionner les 6 nouvelles piles AA alcalines dans le compartiment des piles. S'assurer que le pôle positif (+) et le pôle négatif (-) sont positionnés correctement, comme indiqué sur la partie arrière du panneau. **Remplacer les piles lorsque l'écran affiche « LobAt »** (batterie faible). (Utiliser des piles alcalines AA).
4. Remettre le couvercle du compartiment des piles.

REMARQUE : Eliminer les piles utilisées conformément à la réglementation nationale de votre pays.

FONCTIONNEMENT AVEC L'ADAPTATEUR

Brancher l'adaptateur (NON FOURNI) à la balance et à une source d'alimentation électrique. Renvoyez s'il vous plaît à la page 15 pour l'information en ce qui concerne les adaptateurs disponibles pour l'utilisation avec cette balance. Quand on utilisera un adaptateur, l'icone de la pile ne sera pas montrée sur l'écran. La localisation du chat de la puissance de l'adaptateur (C) est vers le bas indiquée dans la Figure 1.

PREPARATION DE LA BALANCE

1. Trouvez le câble dans la colonne supérieure (A) et dirijalo à travers la la colonne plus faible (B).
 2. After the cable is fed through (B), then plug the cable into the scale base (C). Après que le câble soit dirigé à travers (B), il relie le câble dans le (C) de base.
 3. Reliez les colonnes (A) et (B), ensuite asegúrela au (C) de base en utilisant les 4 vis proportionnées (voie la Figure 1).
 4. Mettre sous tension la balance en appuyant sur le bouton ON/OFF (marche/arrêt). L'écran affiche « Start » (Démarrer), puis « 0,0 ».
- REMARQUE:** En cas d'échec des instructions d'installation, se reporter aux instructions de diagnostic de pannes. Si le problème persiste, contacter le Support Technique Health o meter® Professionnel au 1-800-638-3722.

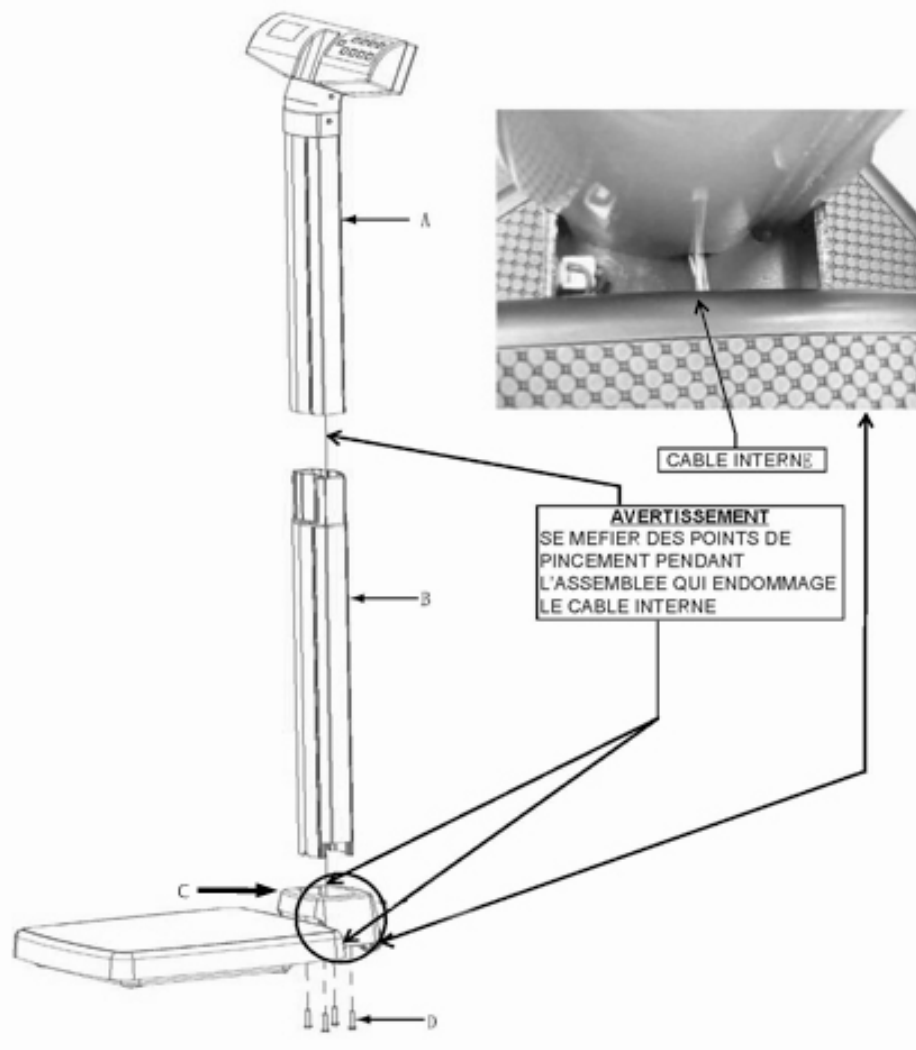


Figure 1

INSTRUCTIONS DE DEMARRAGE RAPIDE

1. Appuyer sur le bouton ON/OFF (marche/arrêt) pour mettre sous tension la balance. «Start» (Démarrer) s'affiche sur l'écran pendant 4-5 secondes, puis «0,0» s'affiche.
2. Faire monter le patient sur la balance. Après que le poids se soit stabilisé, «LOCK» et le poids du patient s'affichent.
3. Le poids stable reste affiché jusqu'à ce que le patient descende de la balance. L'écran affichera à nouveau «0,0».

BOUTON FONCTION

ON/OFF	Met sous tension et hors tension la balance (marche/arrêt).
HOLD/RELEASE	Affiche la valeur de l'objet pesé sur l'écran jusqu'à ce que l'on appuie à nouveau sur le bouton (afficher/effacer).
ZERO	Met à zéro l'affichage avant le pesage; permet d'annuler le poids si un objet a été placé sur la balance.
LB/KG	Bascule entre les livres et les kilogrammes.
CLEAR	Efface l'entrée de taille incorrecte en mode BMI (IMC).
BMI	Invite à entrer les données pour calculer l'indice de masse corporelle (IMC) des patients.
ENTER	Utilisé pour accepter la taille (entrée) en mode BMI (IMC).
UP ▲	Augmente la taille (incréments de 0,5 cm / 0,5 po.).
DOWN ▼	Diminue la taille (incréments de 0,5 cm / 0,5 po.).



MODE D'EMPLOI

LA FONCTION VOITURE-ÉTEINT

Pour ne pas épuiser les piles, la balance se mettra automatiquement hors tension après 2 minutes d'inactivité.

Activer la voiture-éteint

1. Avec la balance éteinte, appuyez et soutenez le bouton de « HOLD/RELEASE ».
2. Tandis qu'il soutient le bouton de « HOLD/RELEASE », appuyez le bouton « ON/OFF » à allumer la balance.
3. « START » apparaîtra abréviativement sur l'écran suivi par « AOF=1 ».
4. Déjà la fonction voiture-éteint est permise et la balance sera automatiquement éteinte après 2 minutes d'inactivité.

Désamorçage la voiture-éteint

1. Avec la balance éteinte, appuyez et soutenez le bouton de « HOLD/RELEASE ».
2. Tandis qu'il soutient le bouton de « HOLD/RELEASE », appuyez le bouton « ON/OFF » à allumer la balance.
3. « START » apparaîtra abréviativement sur l'écran suivi par « AOF=0 ».
4. Déjà la fonction voiture-éteint maintenant est invalidée et la balance se sera allumée jusqu'à ce que la lui éteigne se manuellement.

VERROUILLAGE KG ET LB

C'est possible de changer le mode de pesage par défaut de cette balance de LB/KG à KG uniquement ou LB uniquement.

Changement du mode de pesage:

1. Appuyer sur le bouton ON/OFF (marche/arrêt) pour mettre sous tension la balance.
2. Attendre que « 0,0 » s'affiche sur l'écran.
3. Appuyer et maintenir enfoncé le bouton LB/KG (livres/kilogrammes) jusqu'à ce que la mesure commence à clignoter.
4. Relâcher le bouton LB/KG (livres/kilogrammes) et la balance fonctionnera dans le mode sélectionné.
5. Répéter les étapes 3-4 pour changer le mode de pesage en une unité de mesure différente.

CALCUL DE L' IMC

1. Suivre les étapes 1 et 2 des instructions de démarrage rapide.
2. Lorsque le patient est sur la balance, appuyer sur le bouton BMI (IMC). Un chiffre représentant une taille par défaut s'affiche sur l'écran.
3. Sélectionner la taille appropriée ou la plus proche en appuyant sur les boutons UP (augmenter) ou DOWN (diminuer).
4. Confirmer la taille en appuyant sur le bouton ENTER (entrée) et l'IMC s'affiche.
5. Appuyer sur le bouton CLEAR (effacer) pour revenir à l'écran de pesage normal.

FONCTION D'AFFICHAGE

1. Suivre les étapes 1 et 2 des instructions de démarrage rapide à la page 16.
2. Lorsque le patient est sur la balance, appuyer sur le bouton HOLD/RELEASE (afficher/effacer) pour activer la fonction d'affichage. Le poids stable reste affiché jusqu'à ce que la fonction d'affichage soit annulée.
3. Pour annuler la fonction d'affichage, appuyer à nouveau sur le bouton HOLD/RELEASE (afficher/effacer). La balance revient au pesage normal.

Avant la première utilisation et après des périodes de non-utilisation, vérifier si la balance fonctionne correctement.

Débrancher la balance de la source de courant alternatif.

1. Cette balance contient des composants électroniques. L'utiliser avec précaution. Ne pas la faire tomber, donner des coups de pied dedans ou sauter dessus.
2. Ne pas ranger à proximité de produits chimiques, de chauffages ou de radiateurs.
3. Ne pas la ranger à la verticale.
4. Pour nettoyer la balance, essuyer l'extérieur de la balance avec un chiffon doux et un peu de détergent. Ne pas utiliser de nettoyants abrasifs. Ne pas utiliser d'alcool isopropylique, d'autres solutions ou serviettes désinfectantes pour nettoyer la surface de l'écran.
5. Ne jamais immerger la balance dans l'eau ou pulvériser un liquide dessus.

Cette balance est extrêmement sensible. Si des vêtements ou des serviettes sont posés ou tombent dessus, cela peut la mettre sous tension. Afin d'éviter d'épuiser les piles, ne rien placer sur la balance.

DIAGNOSTIC DE PANNES

Se reporter aux instructions suivantes pour vérifier et corriger toute panne avant de contacter le personnel d'entretien.

SYMPTOME	CAUSE POSSIBLE	ACTION CORRECTIVE
La balance ne se met pas sous tension	<ol style="list-style-type: none"> 1. Piles 2. Mauvaise source d'alimentation 3. Prise de courant défectueuse 	<ol style="list-style-type: none"> 1. Remplacer les piles 2. Remplacer la source d'alimentation 3. Utiliser une autre prise de courant
L'écran affiche le message « LobAt » (batterie faible)	Les piles sont faibles	Remplacer les piles en suivant les instructions
Un poids douteux ou la balance ne se met pas à zéro	<ol style="list-style-type: none"> 1. Object extérieur interférant avec la balance 2. L'écran n'affiche pas « 0,0 » avant le pesage 3. La balance n'est pas positionnée sur une surface de niveau 4. La balance n'est pas calibrée 	<ol style="list-style-type: none"> 1. Eliminer l'élément perturbant la balance 2. Demander au patient de monter sur la balance. Initialiser la balance en appuyant sur le bouton ZERO et recommencer le processus de pesage. 3. Positionner la balance sur une surface de niveau 4. Vérifier le poids en utilisant la valeur « know weight » (connaître le poids)
L'écran affiche le message « OVER » (surchargée)	La charge exercée sur la balance dépasse sa capacité (500 lbs)	Retirer la charge, mettre la balance hors tension, remettre la balance sous tension et essayer à nouveau
L'écran affiche le message « UNDER » (charge insuffisante)	La charge exercée sur la balance est inférieure au point zéro initial	Retirer toute charge de la balance et réinitialiser la balance en appuyant sur le bouton ZERO

CALIBRAGE

Cette balance a été étalonnée en usine et ne nécessite aucun étalonnage additionnel avant son utilisation.

La procédure d'étalonnage peut être effectuée en utilisant un poids connu en kilogrammes ou en livres, selon l'unité de mesure utilisée au moment d'entrer dans le parcours d'étalonnage.

Remarque: Le poids d'étalonnage ne doit pas être inférieur à 40kg (100 lb) ni supérieur à 200kg (500 lb).

ACTION	ÉCRAN
Appuyer et maintenir enfoncé le bouton LB/KG et ZERO simultanément, ensuite appuyer sur le bouton ON/OFF (marche/arrêt) pour mettre la balance sous tension. Le message « CAL » s'affiche à l'écran suivi par un chiffre, il signifie que la balance est prête pour la procédure de calibrage.	« CAL » et alors « XXXXX »
Appuyer sur le bouton ZERO. Le message « C-100 » (pour la manière livres) ou « C-40 » (pour des kilogrammes) s'affiche rapidement et ensuite l'écran affiche la valeur « 0 ».	« C-100 » ou « C-40 »
Positionner une charge de 100 lbs ou 40 kg sur la balance et lorsque le chiffre du calibrage se stabilise, appuyer sur le bouton ZERO. Le message « C-200 » (pour la manière livres) ou « C-80 » (pour des kilogrammes) s'affiche rapidement et ensuite l'écran affiche la valeur « 0 ».	« C-200 » ou « C-80 »
Positionner une charge de 200 lbs ou 80 kg sur la balance et lorsque le chiffre du calibrage se stabilise, appuyer sur le bouton ZERO. Le message « C-300 » (pour la manière livres) ou « C-120 » (pour des kilogrammes) s'affiche rapidement et ensuite l'écran affiche la valeur « 0 ».	« C-300 » ou « C-120 »
Positionner une charge de 300 lbs ou 120 kg sur la balance et lorsque le chiffre du calibrage se stabilise, appuyer sur le bouton ZERO. Le message « C-500 » (pour la manière livres) ou « C-200 » (pour des kilogrammes) s'affiche rapidement et ensuite l'écran affiche la valeur « 0 ».	« C-500 » ou « C-200 »
Positionner une charge de 500 lbs (200 kg) sur la balance et lorsque le chiffre du calibrage se stabilise, appuyer sur le bouton ZERO. « END » (fin) s'affiche à l'écran, ensuite la balance se met hors tension automatiquement.	« END »

Que couvre la garantie ?

Cette balance Health o meter® Professionnelle est garantie à compter de la date d'achat contre les défauts de matériaux ou de fabrication pendant une période de deux (2) ans. Si la balance ne fonctionne pas correctement, retourner le produit à Pelstar, LCC, port prépayé et bien emballé (se reporter à la section « Pour obtenir un service de garantie » ci-dessous, pour obtenir les instructions). Si le fabricant détermine qu'un défaut de matériau ou de fabrication existe, le seul recours des clients sera la réparation ou le remplacement sans frais de la balance. Le remplacement sera effectué par un produit ou un composant neuf ou remis à neuf. Si le produit n'est plus disponible, le remplacement sera effectué par un produit similaire de valeur équivalente ou supérieure. Toutes les pièces, y compris les pièces réparées et remplacées sont couvertes seulement pendant la période de garantie initiale.

Qui est couvert?

L'acheteur initial du produit doit avoir une preuve d'achat afin d'obtenir le service de garantie. Conserver le ticket de caisse ou le reçu. Les dépositaires Pelstar ou qui vendant les produits Pelstar n'ont pas l'autorisation de changer ou de modifier d'aucune façon les conditions générales de cette garantie.

Quelles sont les exclusions?

Votre garantie ne couvre pas l'usure normale des pièces ou les dommages causés par l'une des causes suivantes: l'utilisation négligente ou la mauvaise utilisation du produit, l'utilisation avec une tension ou un courant inappropriés, l'utilisation contraire aux directives d'utilisation, l'abus y compris l'altération, les dommages en transit ou les réparations ou les modifications non autorisées. De plus, la garantie ne couvre pas les catastrophes naturelles, comme les incendies, les inondations, les ouragans et les tornades. Cette garantie confère des droits légaux précis et l'acheteur initial peut aussi avoir d'autres droits qui varient d'un pays à l'autre, d'un état à un autre, d'une province à l'autre ou d'une juridiction à une autre.

Pour obtenir un service de garantie, veiller à conserver le reçu de vente ou autre preuve d'achat.

Composer le 800-638-3722 pour obtenir un numéro d'autorisation de retour (RA). Joindre une preuve d'achat au produit défectueux en plus des nom, adresse, numéro de téléphone le jour et une description du problème. Emballer le produit soigneusement et l'envoyer port prépayé et assuré à:

Pelstar, LLC
Attention R/A# _____
Repair Department
11800 South Austin Ave. Unit B
Alsip, IL 60803 États-Unis

Si la balance n'est pas couverte par la garantie ou si elle a été endommagée, une évaluation des coûts de réparation ou de remplacement sera soumise aux fins d'approbation avant d'effectuer la réparation ou le remplacement.

Pelstar, LLC
11800 South Austin Avenue - Unit B • Alsip, IL 60803 • États-Unis
1-800-638-3722 ou 1-708-377-0600

MERCI D'ENREGISTRER LA BALANCE AFIN DE LA GARANTIR SUR LE:
<http://www.homscales.com/customers/registration.aspx>

Les produits Health o meter® Professional sont la propriété de Pelstar LLC, laquelle également les fabrique et les conçoit. Health o meter® est une marque déposée de Sunbeam Products Inc., utilisée sous licence.

© Pelstar, LLC 2009



Health o meter[®]

P r o f e s s i o n a l

LEADING THE WEIGH™ IN:
ACUTE CARE • BARIATRIC • DIALYSIS
FITNESS • LONG TERM CARE • PEDIATRIC / NEONATAL
PRIMARY CARE • PROFESSIONAL HOME HEALTH • VETERINARY

**Please visit our web site to learn more about
our full line of professional scales.**

Pelstar, LLC

11800 South Austin Avenue - Unit B
Alsip, IL 60803 • USA
www.homscales.com

1-800-638-3722 or 1-708-377-0600

**ISO13485:2003
CERTIFIED**